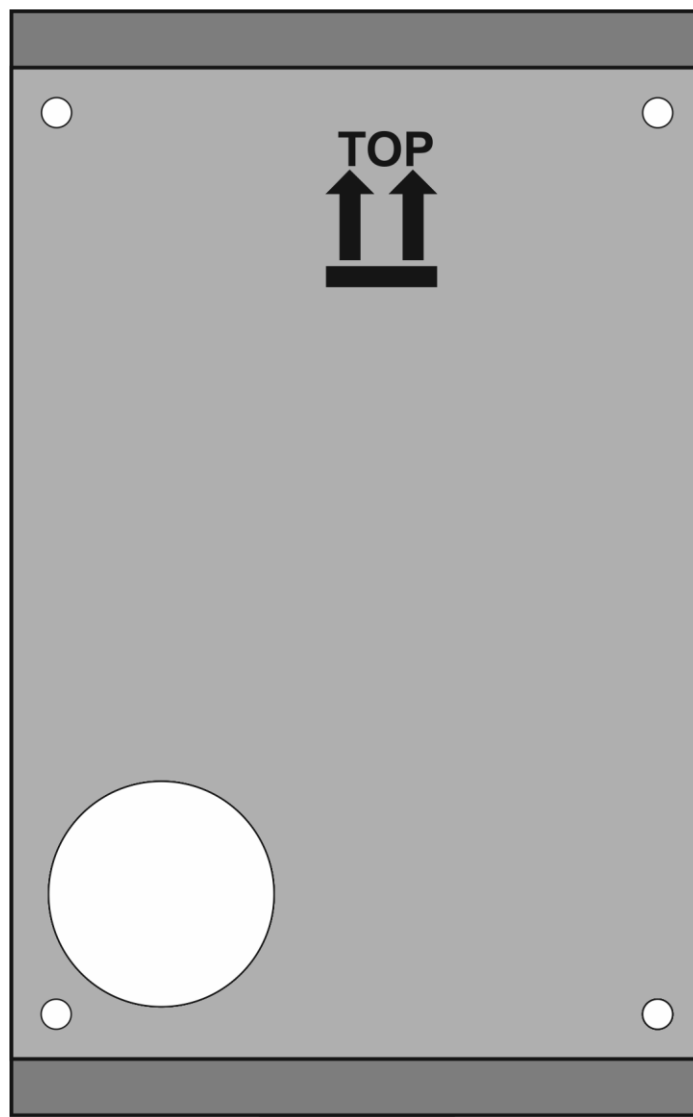
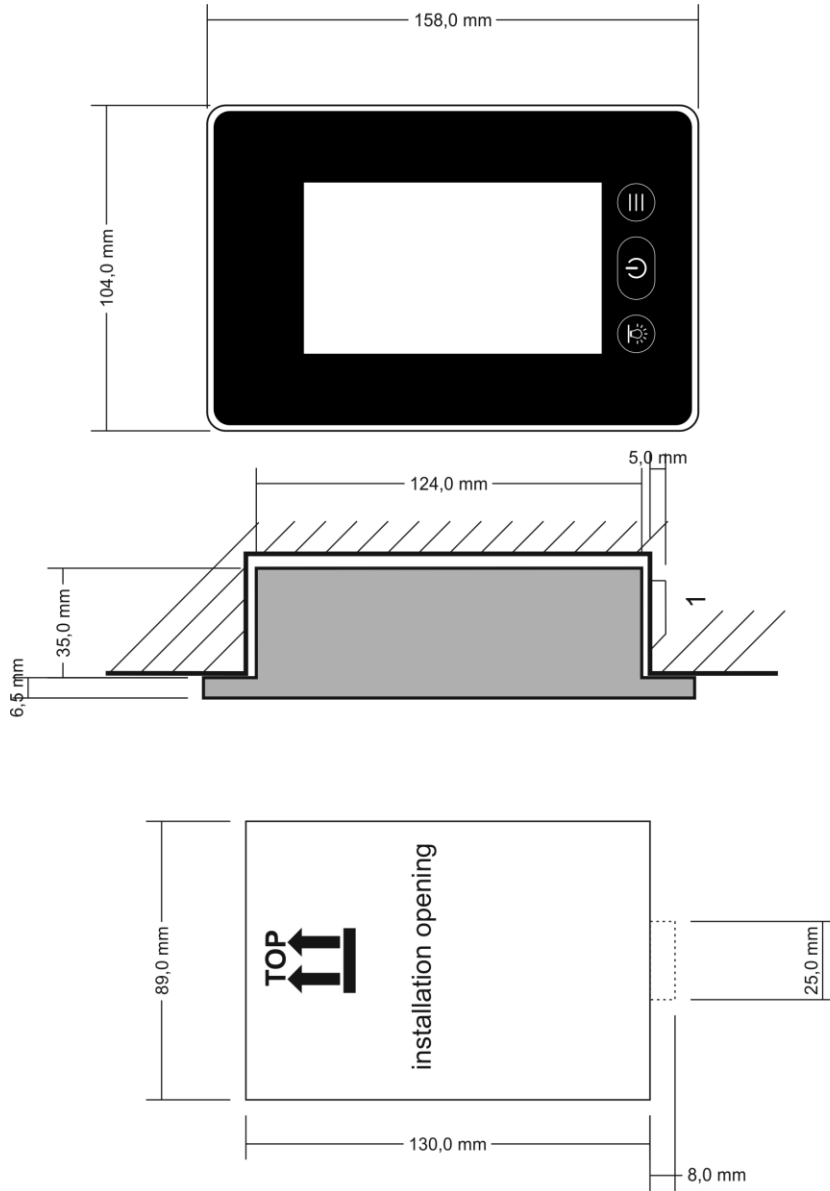


- 1 Installation instructions without plaster frame for keyboard FCU5xxx-Design**
- 2 Installation instructions with plaster frame for keyboard FCU5xxx-Design**
- 3 Installation of the keyboard FCU5xxx-Design**
- 4 Removal of the keyboard FCU5xxx-Design**



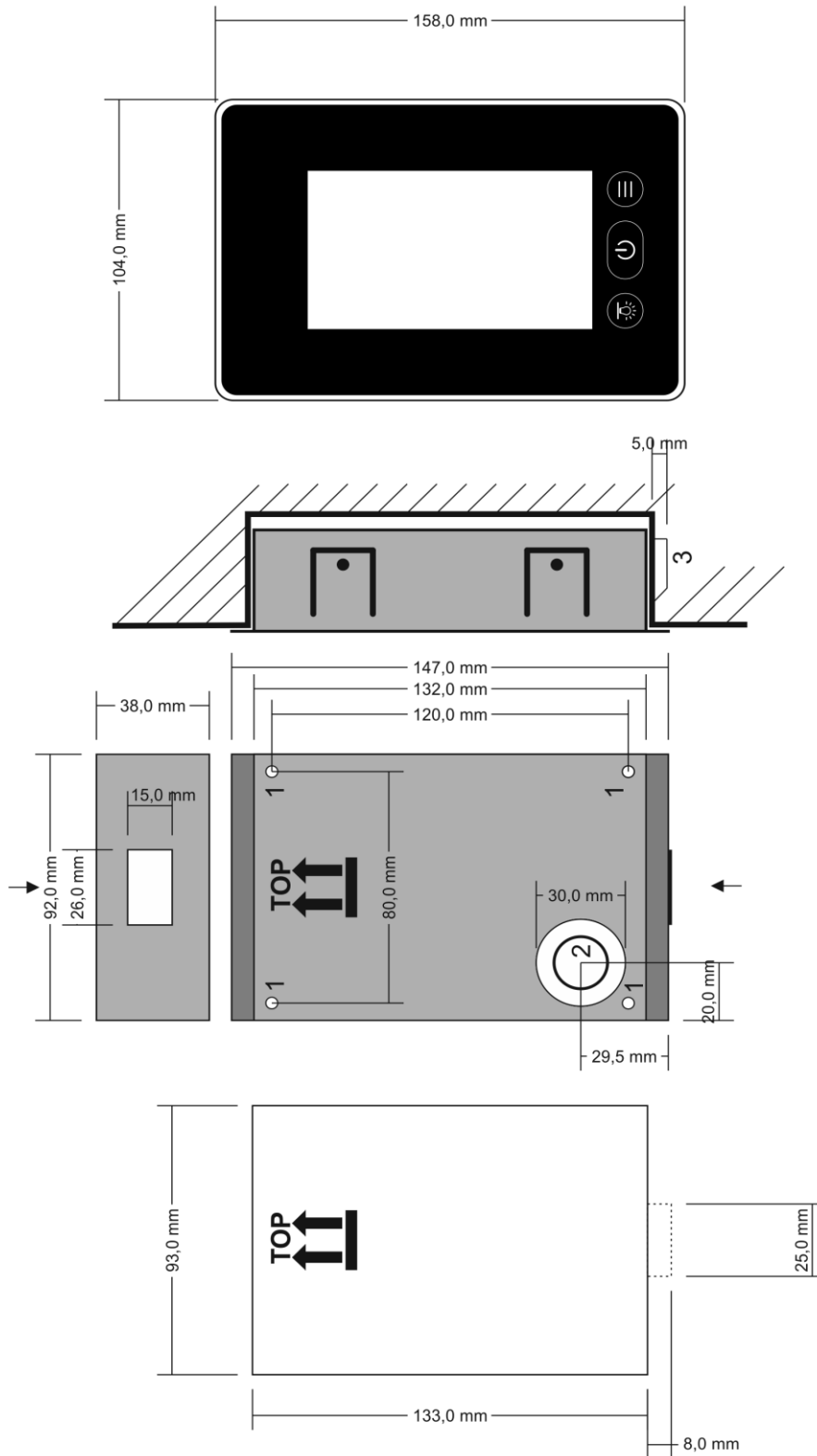
1 Installation instructions without plaster frame for keyboard FCU5xxx-Design



1: Flattening for spring

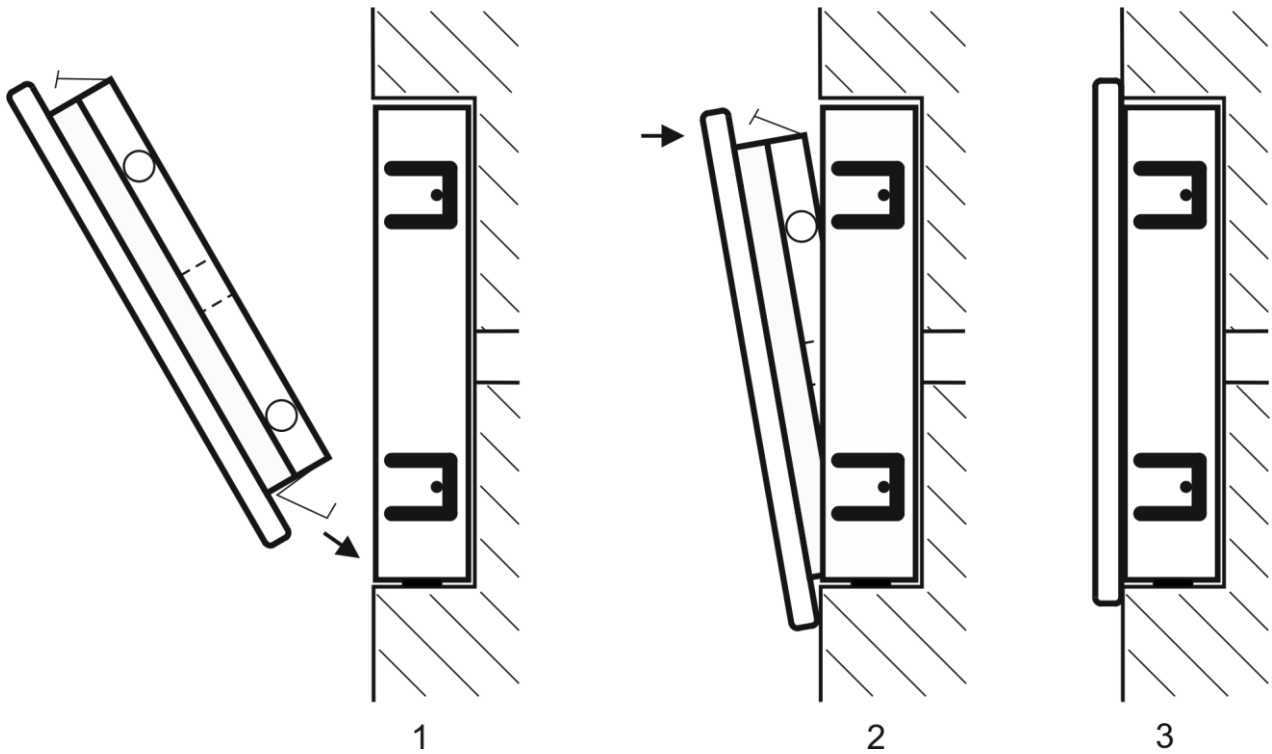
<p>FASEL ELEKTRONIK</p>		Technical changes reserved
		file name: \\lab\ufasel\FCU5xxx\ch\Aig\1\M_Weime_FCUSXXX.cdr
checked:	changed:	created:
	Kunzeimann 07.05.2017	Kunzeimann 13.02.2017
<p>Installation instructions of the keyboard FCU5xxx</p>		

2 Installation instructions with plaster frame for keyboard FCU5xxx-Design



FASEL ELEKTRONIK	
file name:	I:\dok\fasel\FCUxxxx\Doku_Allg.1_M_Wanne_FCU5XXX.cdr
checked:	
changed:	Kunzelmann 13.02.2017
created:	Kunzelmann 13.02.2017
Technical changes reserved	

3 Installation of the keyboard FCU5xxx-Design



4 Removal of the keyboard FCU5xxx-Design

