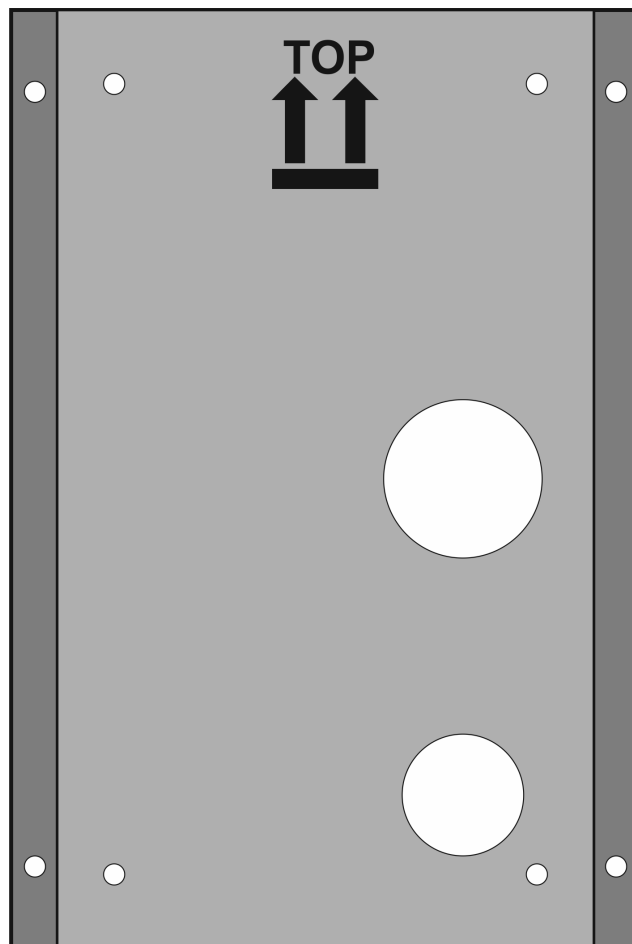


1 Installation instructions of the plaster frame for keyboard FCUxxxx-Design

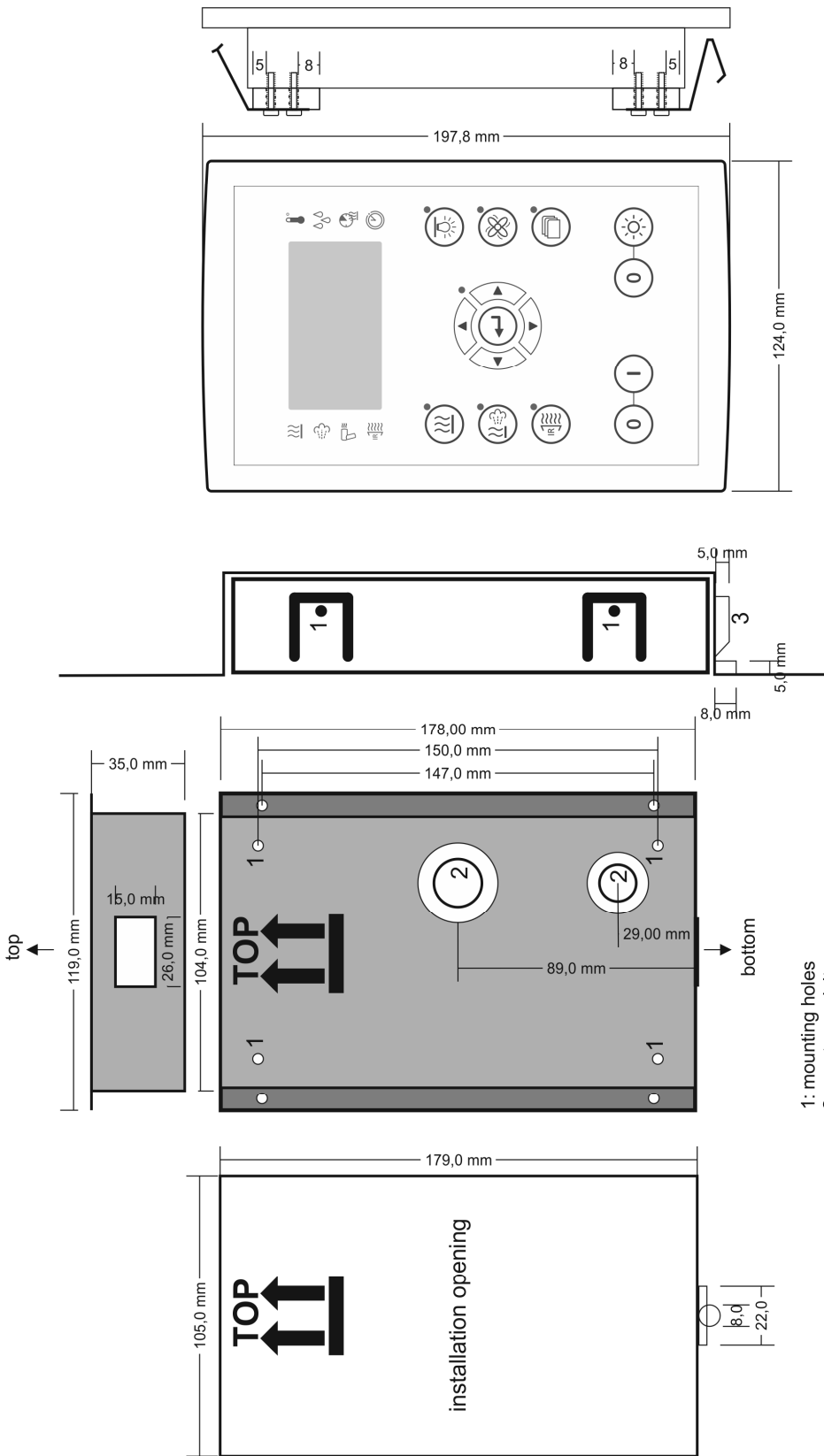
2 Installation instructions of the plaster frame for keyboard FCUxxxx-Design Glas

3 Installation of the keyboard FCUxxxx-Design (-Glas) with plaster frame

4 Removal of the keyboard FCUxxxx-Design (-Glas) with plaster frame



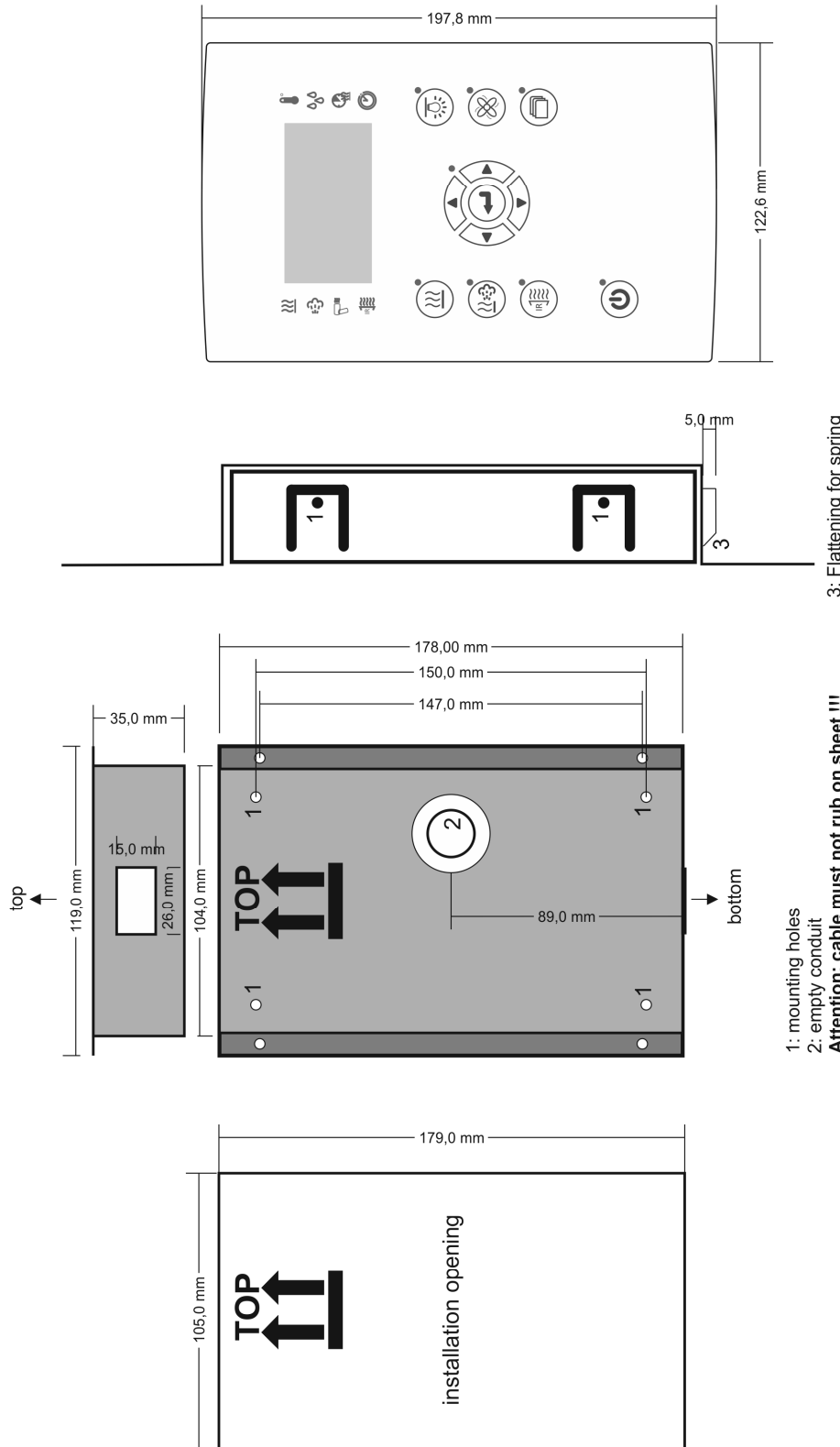
1 Installation instructions of the plaster frame for keyboard FCUxxxx-Design



3: Flattening for spring

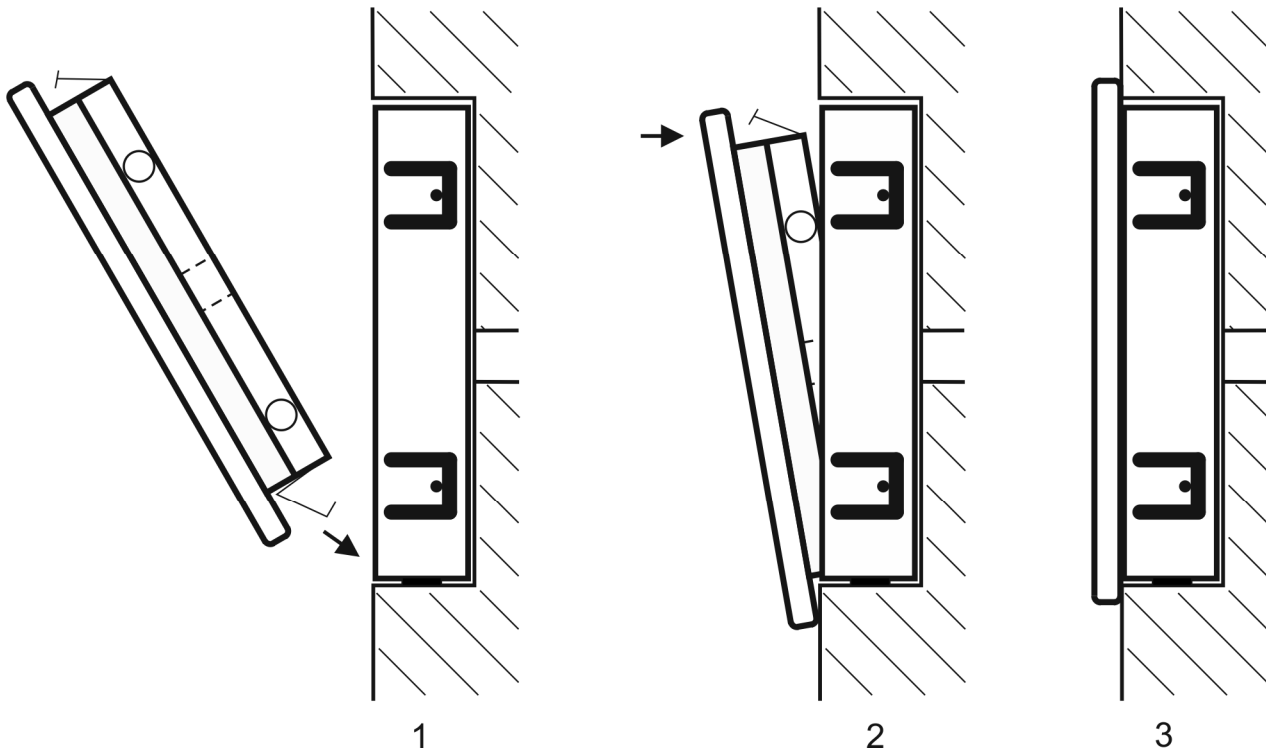
file name:	checked:	changed:	created:
I:\dok\l\assel\FCUxxxx\Doku_Allg.\M_Wanne.cdr			Kanzinger 05.03.2015
Technical changes reserved			
Installation instructions of the plaster frame for keyboard FCUxxxx-Design			

2 Installation instructions of the plaster frame for keyboard FCUxxxx-Design Glas



Installation instructions of the plaster frame for keyboard FCUxxxx-Design-Glas		FASEL ELECTRONIK
created: Schmalz 19.05.2011	changed: Kanzlinger 28.02.2013	checked:
file name: I:\dok\ufasel\FCUxxxx\Doku_Allg.\M_Wanne.cdr		Technical changes reserved

3 Installation of the keyboard FCUxxxx-Design (-Glas) with plaster frame



4 Removal of the keyboard FCUxxxx-Design (-Glas) with plaster frame

