

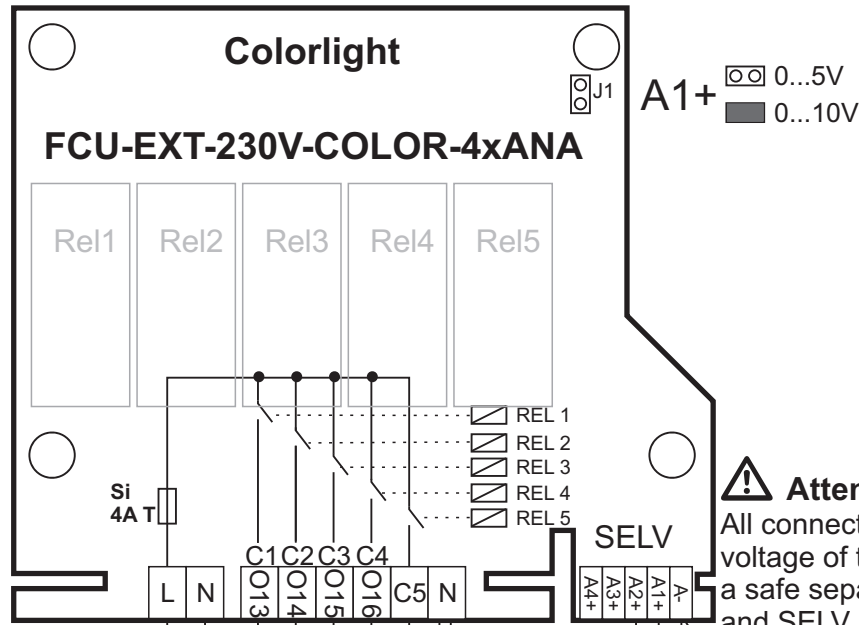
Place of installation of the options board see installation instructions page 3.

Technical data

Coloured light 230V outputs	
Voltage	max. 250V~
Switching capacity/relay	max. 200 VA
Total capacity/module	120 VA in case of supply L1 of FCUxxxx 400 VA in case of external supply

Control voltages for the corresponding colours of the light box on terminals A1+, A- or ANA. GND

Colour	Voltage
White	0,0 V
Blue	1,0 V
Blue/red	1,5 V
Red	2,0 V
Red/yellow	2,5 V
Yellow	3,0 V
Yellow/green	3,5 V
Green	4,0 V



Attention: All connections to the safety extra-low-voltage of the colorlight must have a safe separation between mains and SELV (Safety extra-low-voltage) **danger of life !**

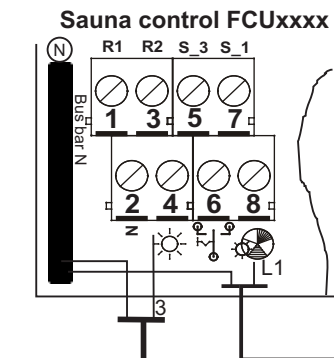
Never exceed the maximum permissible temperature of cable used!

The safety-socket is to be fitted near the light box. After successful connection, the sauna control device activates the light box in the range between 0 4 V depending on the colour. (see table above right)

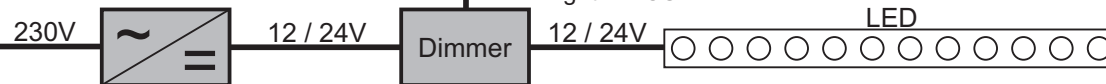
Please also read the installation and operation manual of the sauna control device.

Attention: SELV !

depending on dimming level light in FCUxxxx



Disable light dimming in FCU see installing instructions FCUxxxx



Connection diagram colorlight board FCU-EXT-230V-Color-4xAna

Prepared: Kanzinger	Modified: Kanzinger	Checked:	File: \\Doku\Fasel\FCU-EXT\ 230V-Colorlight\ ModulColor-4xAna.cdr	Technical changes and errors excepted, illustration similar
03.02.2010	15.03.2016		An_COLOR-4xAna.pdf	