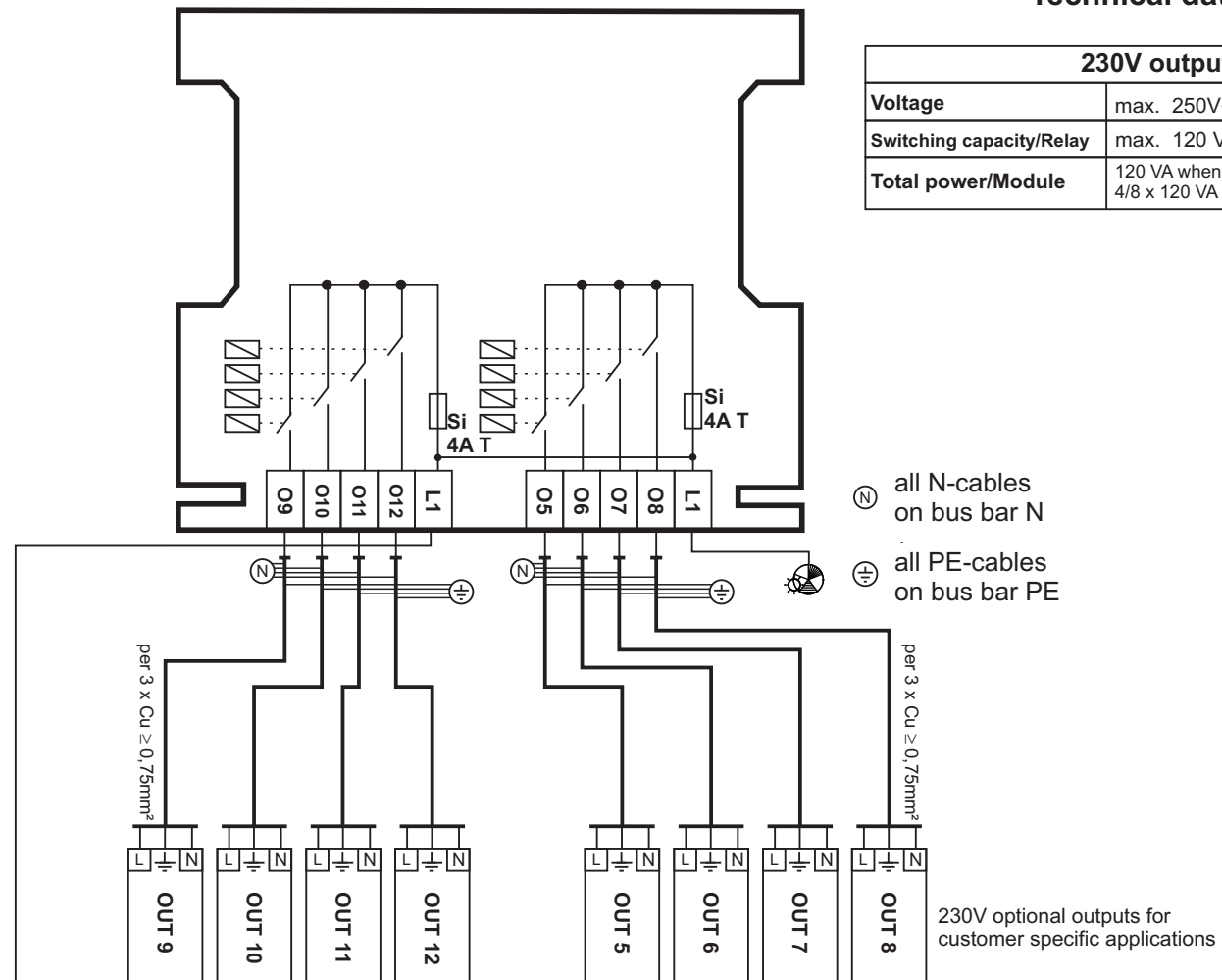
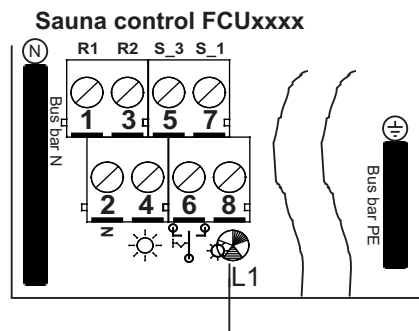


## Technical data

230V outputs	
Voltage	max. 250V~
Switching capacity/Relay	max. 120 VA
Total power/Module	120 VA when supplying L1 of FCUxxxx 4/8 x 120 VA with external power supply



If the supply is not obtained from the control device, then make sure that this supply is carried through the same FI as that of control!



- Ⓝ all N-cables on bus bar N
- Ⓧ all PE-cables on bus bar PE

Function depending on the program no., see enclosure Option programs.  
Place of installation of the options board see installation instructions page 3.

## Connection diagram 230V option board FCU-EXT-230V-4/8xOUT-A

Prepared: Kanzinger 04.02.2010	Modified: Kanzinger 02.10.2012	Checked:	File: i:\Doku\Fasel\FCU-EXT- 230V-4x1Modul\230V-4x.cd An_230V-8x_EN.pdf	Rights reserved for Technical changes Status: 02.2010 <b>FASEL GmbH</b>
--------------------------------------	--------------------------------------	----------	--	--