

## Technical data

### 230V outputs

<b>Voltage</b>	max. 250V~
<b>Switching capacity/Relay</b>	max. 120 VA
<b>Gesamtleistung/Modul</b>	120 VA when supplying L1 of FCUxxxx 480 VA in case of external power supply

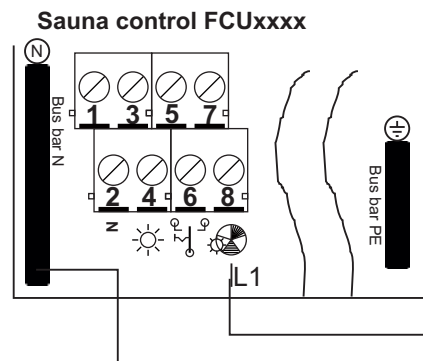
### 230V inputs

<b>Contact supply</b>	230V~ same phase for all inputs
<b>Switching current</b>	Approximately 10 mA

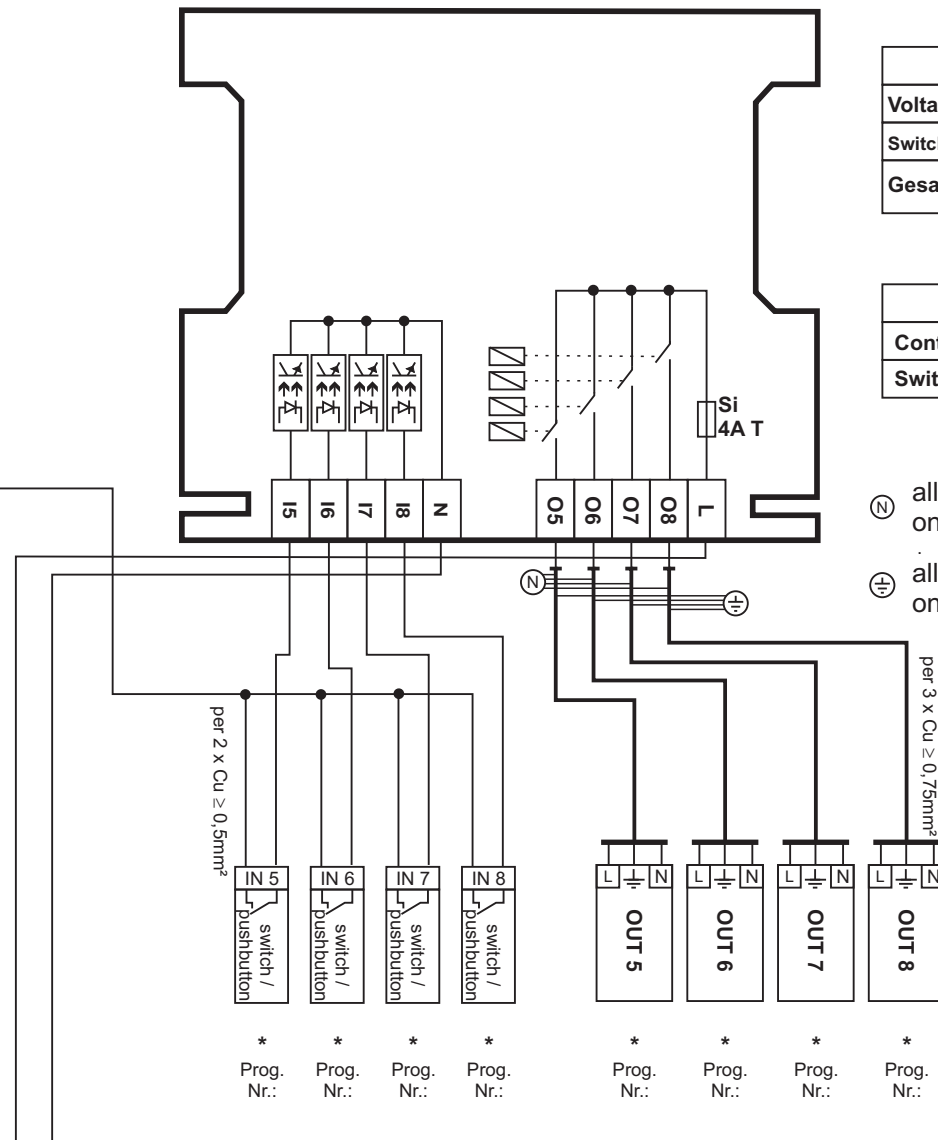


We explicitly point out that the same phase must be used for all 230V option inputs!

If the supply is not obtained from the control device, then make sure that this supply is carried through the same FI as that of control!



L



Ⓝ all N-cables on bus bar N

Ⓟ all PE-cables on bus bar PE

230V optional outputs for customer specific applications

Function depending on the program no., see enclosure Option programs.  
Place of installation of the options board see installation instructions page 3.